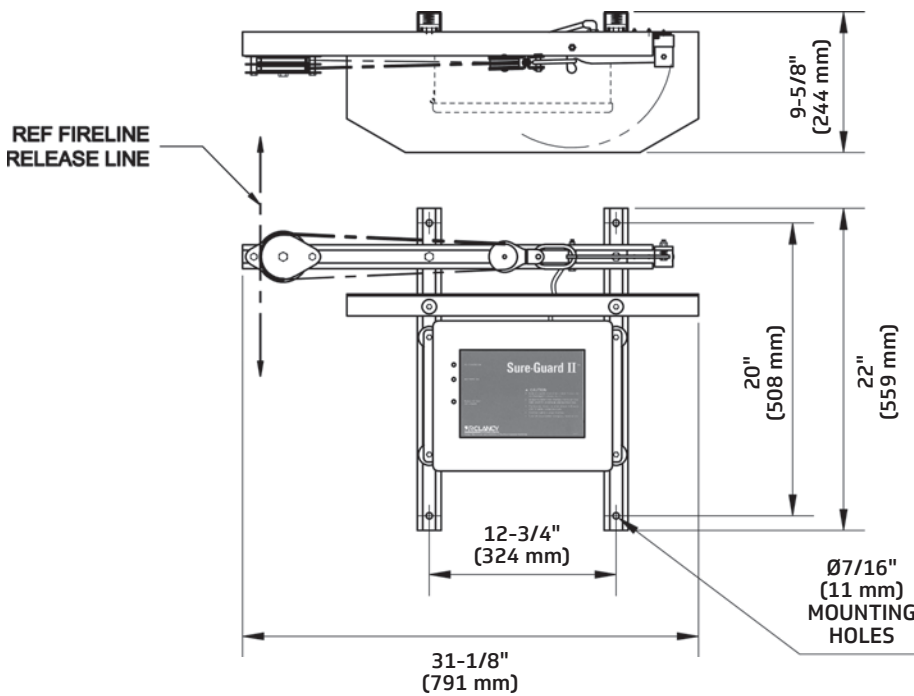


Sure-Guard[®] II

- Allows fire detection systems such as smoke detectors or other electrical signals to release the fire curtain
- Works with sensors using either "Normally Open" or "Normally Closed" contacts
- When triggered, the Sure-Guard II's electro-mechanical mechanism releases tension in the fire line, allowing the fire safety curtain to close; the release mechanism may be attached to the fire line at any point and does not interfere with other release mechanisms.
- Release mechanism is jostle resistant to reduce false tripping
- A sealed lead acid battery and charger holds the release in the event of power loss
- 120 VAC power required
- UL Listed
- Three-year warranty against defects in materials or workmanship is provided on all J.R. Clancy equipment, additional warranty information is available at jrclancy.com

Dimensions



**Sure-Guard II Release System
016-970**

Order Information

Number	Description	Weight
016-970	Sure-Guard II Release System	40 lb (18.1 kg)

